

A-2 ARCH
A-3 ARCH

A-4 DOOR
A-10 DOOR

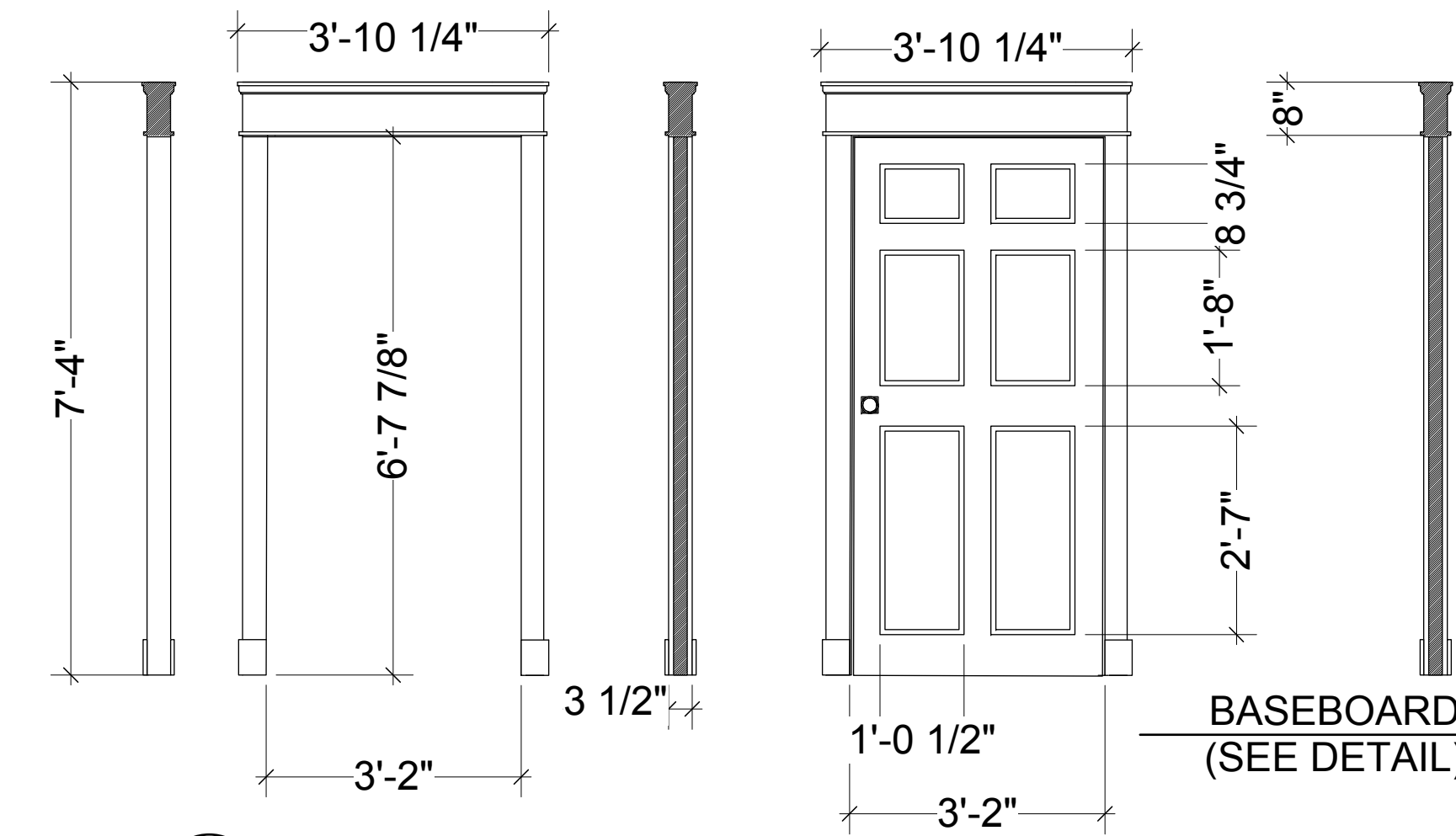
B-2 DOOR
A-5 DOOR
A-7 DOOR
NOTE: DOORS A-4 AND A-7 ARE NON-FUNCTIONING AND EXIST ONLY AS A SCENIC ELEMENT TO PROVIDE SUPPORT FOR UPPER DECK

A-5 WINDOW
NOTE: WINDOW A-5 IS NON-FUNCTIONING AND EXISTS ONLY AS A SCENIC ELEMENT TO PROVIDE SUPPORT FOR UPPER DECK

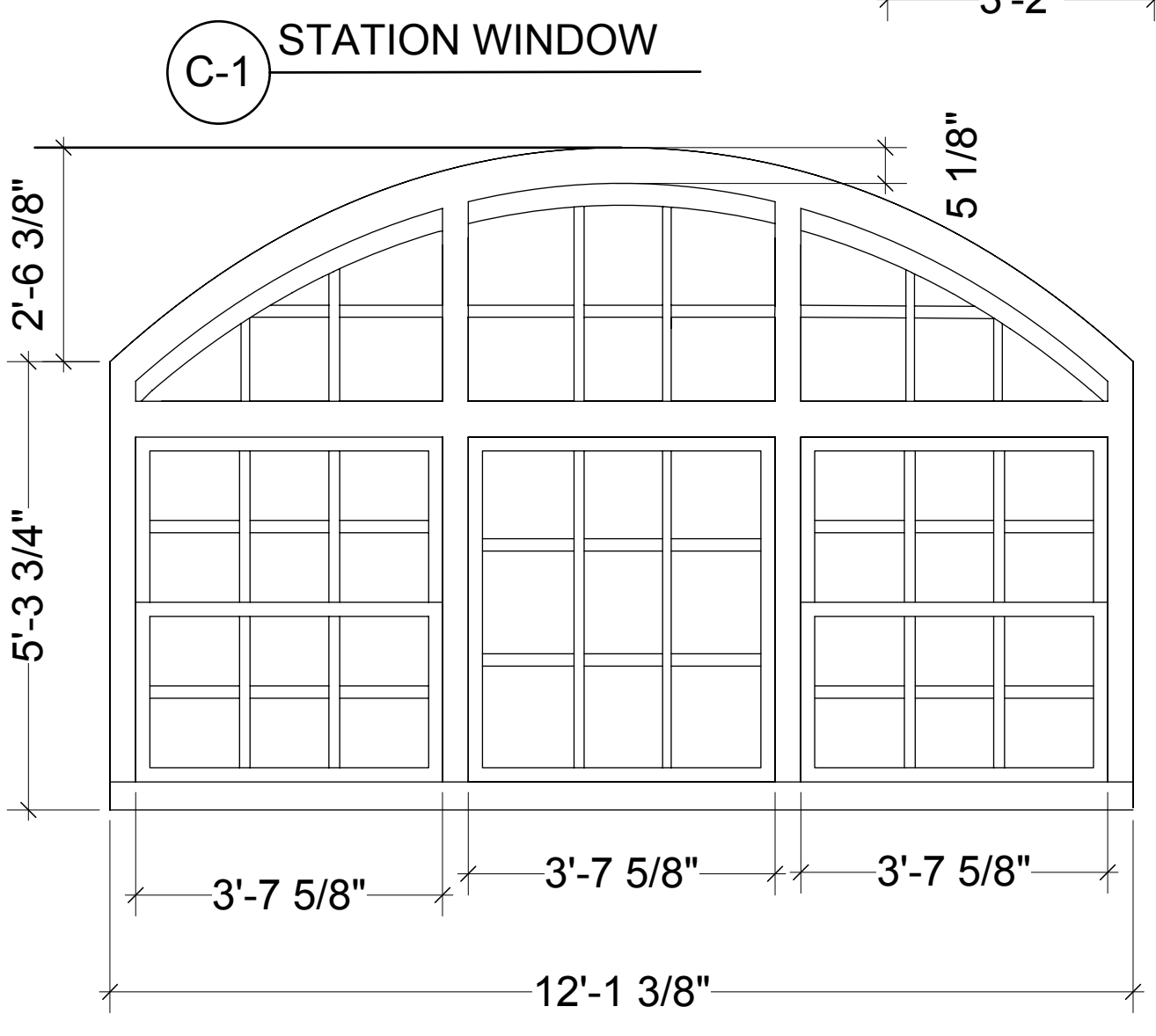
B-4 WINDOW
NOTE: WINDOW B-4 IS A FUNCTIONING WINDOW. WINDOW MUST BE WELL SUPPORTED. ACTOR IS REQUIRED TO EXIT THROUGH THIS WINDOW AND ONTO A LADDER

B-1 WINDOW
B-3 WINDOW
NOTE: WINDOWS B-1 AND B-3 ARE HANGING WINDOWS. THEY WILL STAY IN POSITION FOR THE DURATION OF THE PLAY AND ARE NOT REQUIRED TO FLY IN OR OUT.

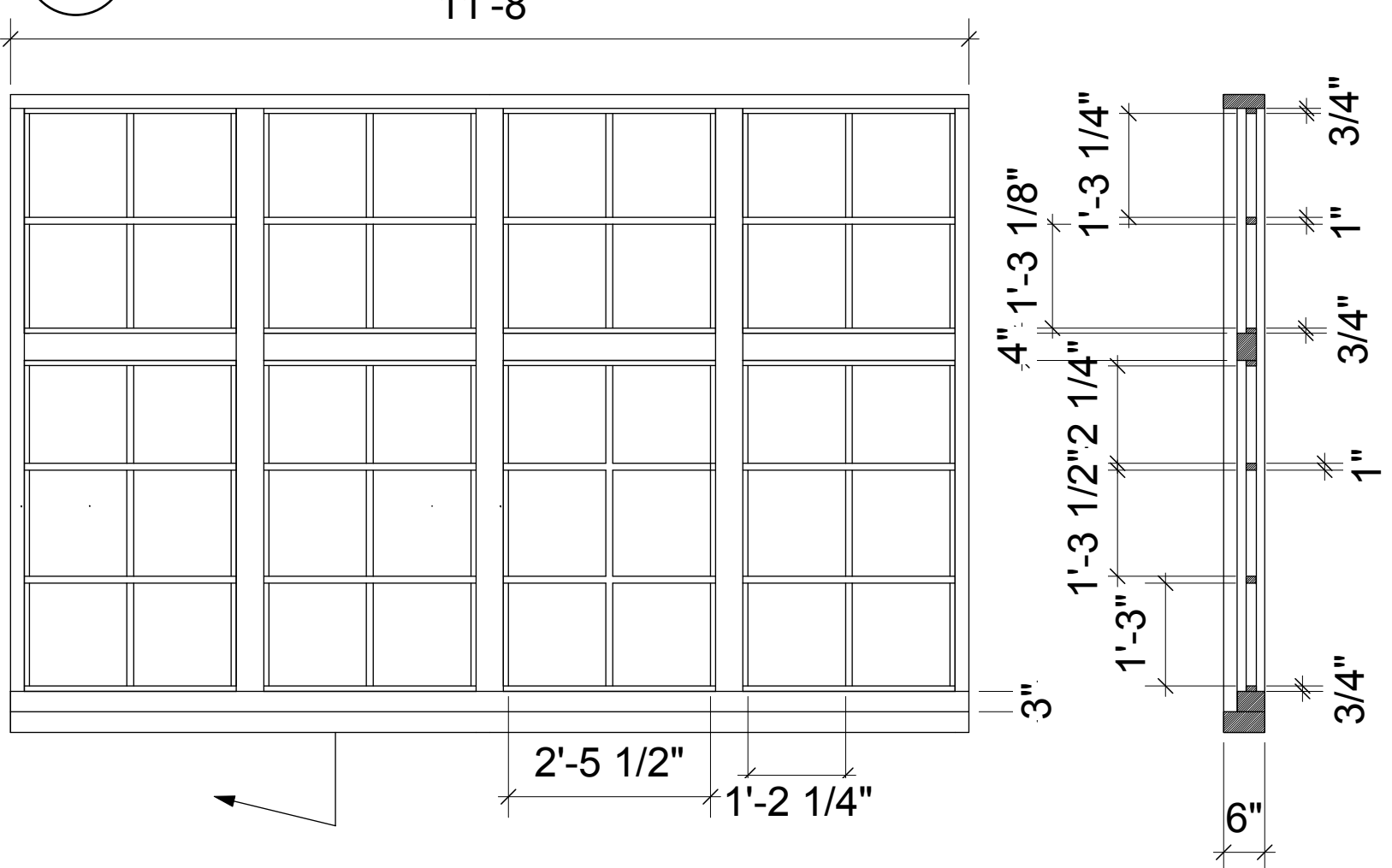
GINGER BREAD TRIM:
(GARDEN HOUSE AND FRONT PORCH).
SCALE: 3" = 1"
NOTE THAT ON GARDEN HOUSE DOOR TRIM MUST FIT THE SHAPE OF THE DOOR. NO SPECIAL FITTING IS NECESSARY FOR TRIM ON PORCH.



C-2 INSTITUTIONAL WINDOW
11'-8\"/>



NOTE: C-1, C-2 NEED SEMI-OPAQUE TO OPAQUE WINDOW PANES. DISCUSS OPTIONS WITH DESIGNER.



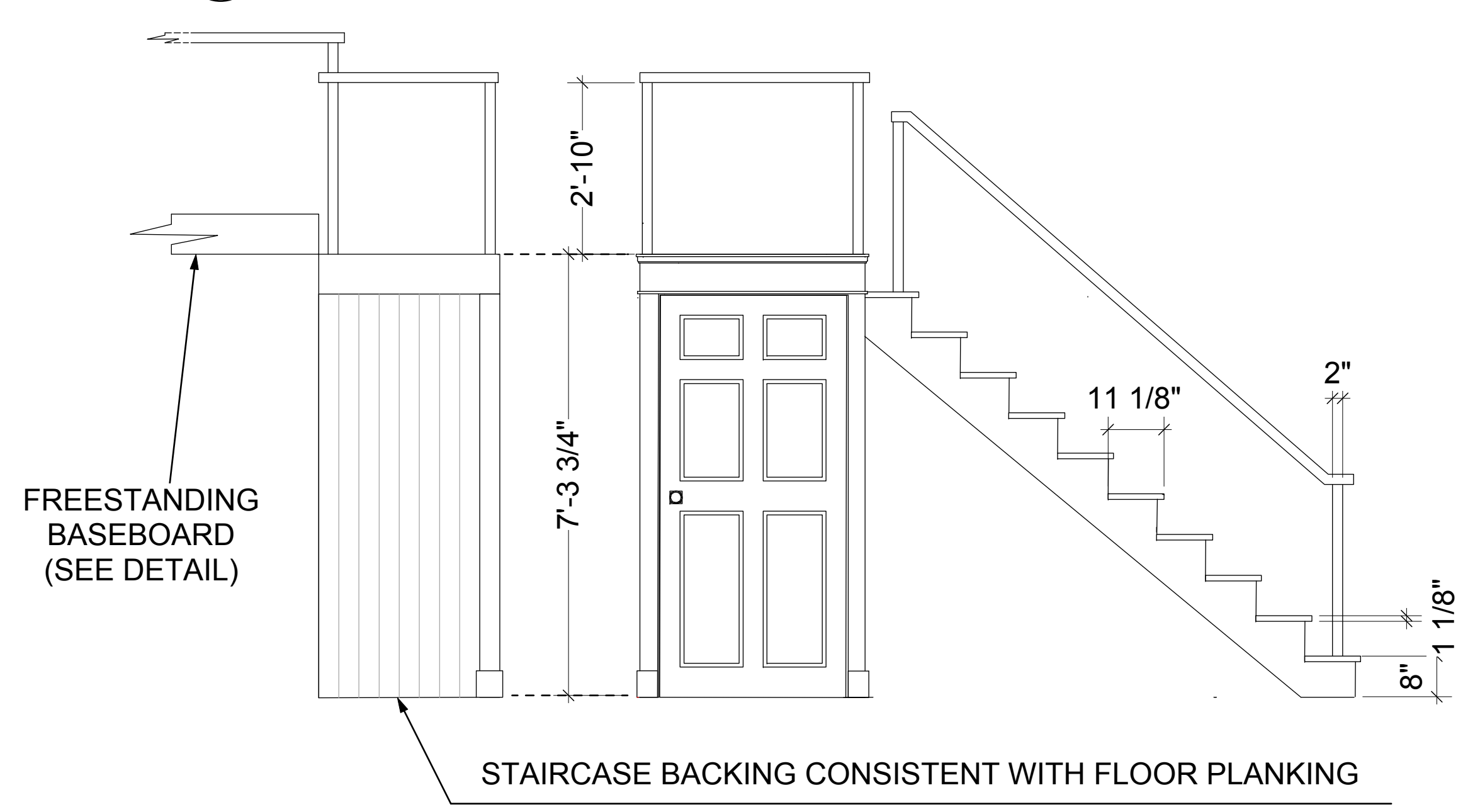
NOTE: ALL DOORS NEED A KEYHOLE. PULL FROM STOCK IF POSSIBLE. A PLATE LIKE THE ONE INDICATED IS PREFERABLE. CONTACT DESIGNER FOR FUTHER CLARIFICATION.



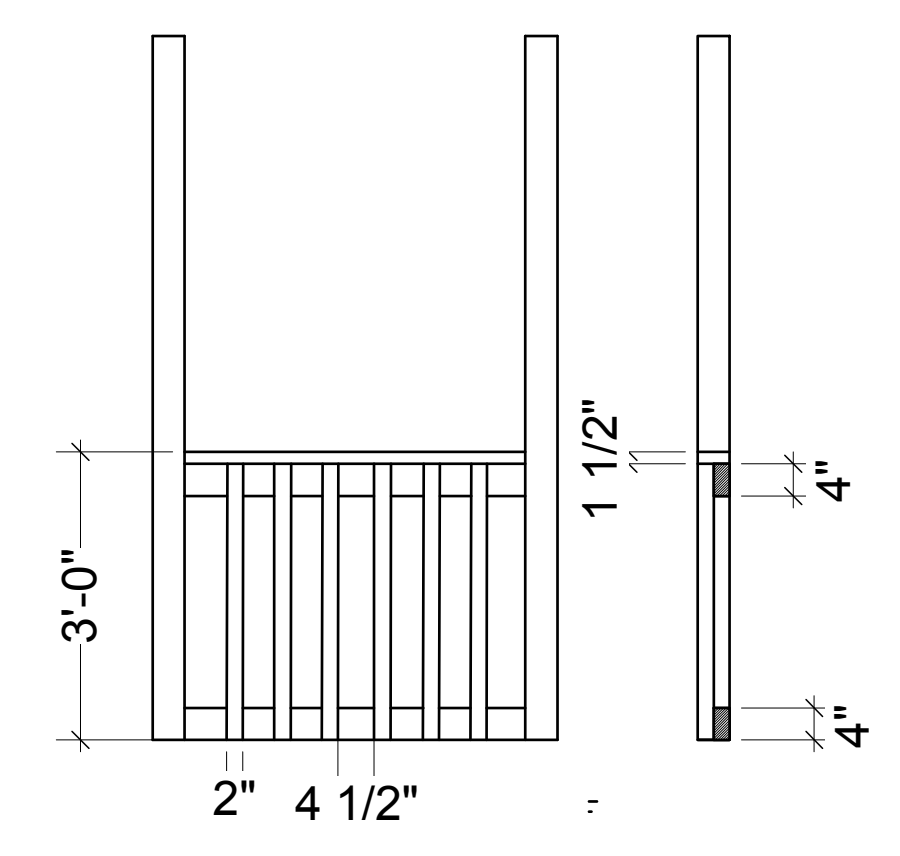
BASEBOARD 5 - 1/4" TALL
HOME DEPOT
Model # UMD1866-08

DETAIL OF TRIM AT TOP OF WINDOWS AND DOORS
SCALE: 2"=1"

A-1 INTEGRATED DOOR/STAIRS



A-8 PORCH RAILING (TYP)



A-9 GARDEN TRELLIS

